

NETGEAR®

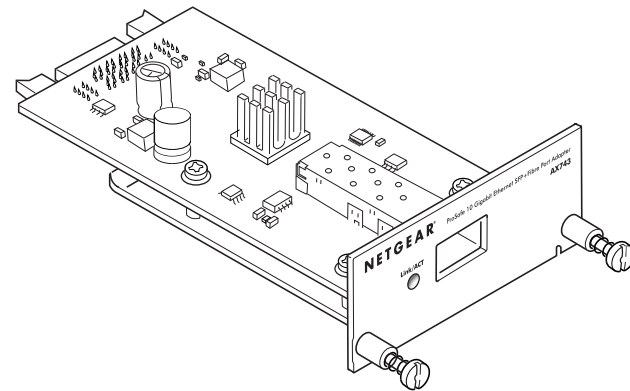
Installation Guide

ProSafe 10 Gigabit Ethernet SFP+ Fibre Port Adapter AX743

Install Your Adapter

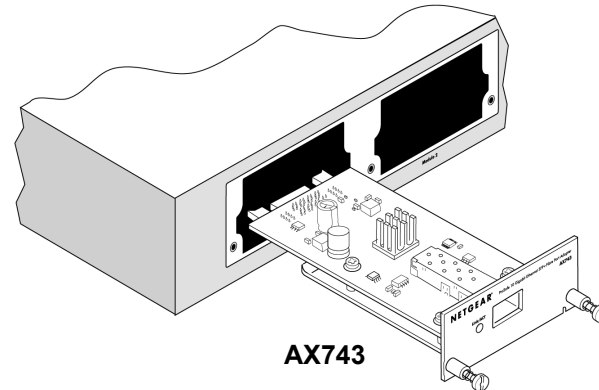
The ProSafe 10 Gigabit Ethernet SFP+ Fibre Port Adapter AX743 enables 10 Gigabit Ethernet Small Form-Factor Pluggable (SFP+) optics modules, such as the AXM761 and AXM762, to be utilized with NETGEAR's GSM73xxS/GSM73xxSv2 series managed switches. The AX743 plugs into any of the available switch module bays and adapts the ports for use with SFP+ modules.

The I/O module bays may be located on the front or the rear panel of the depending on the switch model. Due to configuration requirements you may have to reboot the switch after installation of the AX743.



Installing an AX743 Adapter

Insert the adapter into one of the available module bays, pressing firmly to seat the module. Once the adapter is seated, tighten the two set screws to hold the adapter in place. Please refer to the system switch user manual for a detailed description of the LED function.



Removing an AX743 Adapter

To remove the adapter:

1. Loosen the two set screws on either side of the adapter front panel.
2. Once loose, remove the adapter by holding the screw posts and pulling evenly on the adapter and sliding it out of the module bay.

Note: The AX743 adapter is hot-swappable. The switch may remain powered-on when installing or removing the adapter.

Specifications

Specifications	
Standard	SFF-8431
Dimensions (HxWxD)	1.20" x 2.92" x 6.18" (30.5mm x 74.1mm x 157 mm)
Weight	0.298 lb (0.135kg)
Operating Temperature	32 to 122 °F (0 to 50 °C)
Storage Temperature	14 to 158 °F (0 to 70 °C)
Operative relative humidity	10 to 90% and noncondensing
Max. Power Consumption	2.74w with Fiber
MTBF	182 years (at 25°C); 46 years (at 55°C)

Link Active LED

The LED on the faceplate will be continuous green when the optical transceiver is installed and the link is up. When there is active traffic across the fiber cable, the LED will blink to reflect the activity.

Technical Support

Thank you for selecting NETGEAR products.

After installing your device, locate the serial number on the label of your product and use it to register your product at <http://www.NETGEAR.com/register>. Registration is required before you can use our telephone support service. Registration via our website is strongly recommended.

Go to <http://kbserver.netgear.com> for product updates and Web support. For Warranty and Regional Customer Support information, see the *Warranty Card* that came with your product.

Regulatory Compliance

The regulatory compliance details are documented below.

Statement of Conditions

In the interest of improving internal design, operational function, and/or reliability, NETGEAR reserves the right to change the product described in this document without notice. NETGEAR does not assume any liability that may accrue due to the use or application of the product(s) or circuit layout(s) described herein.

Certificate of Manufacture/Importer

It is hereby certified the NETGEAR model AX743 has been suppressed in accordance with the condition set out in MBPT-AmtsblVfg 243/1991 and vfg 46/1992. The operation of some equipment (for example, test transmitters) in accordance with regulation may, however, be subject to certain restrictions. Please refer to the note in the operating instructions. Federal Office for Telecommunications Approvals has been notified of the placing of this equipment on the market and has been granted the right to test the series for compliance with regulation.

Note: This device has been tested and found to comply with limits for a Class A digital device, pursuant to part 15 of FCC rules. These limits are designed to provide reasonable protection against harmful interference in a commercial installation.

Laser Safety Warning

This is a Class 1 laser product.

Warning: Because invisible laser radiation may be emitted from aperture of the port when no fiber cable is connected, avoid exposure to laser radiation and do not stare into the open aperture.



This symbol was placed in accordance with the European Union Directive 2002/96 on the Waste Electrical and Electronic Equipment (the WEEE Directive). If disposed of within the European Union, this product should be treated and recycled in accordance with the laws of your jurisdiction implementing the WEEE Directive.

© 2009 by NETGEAR, Inc. All rights reserved. NETGEAR and the NETGEAR logo are registered trademarks of NETGEAR, Inc. in the United States and/or other countries. Other brand and product names are trademarks or registered trademarks of their respective holders. Information is subject to change without notice.



201-11709-01



July 9, 2009