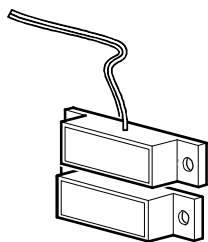


NetBotz[®] Door Switch Sensor for Rooms or Third-Party Racks (NBES0302)—Installation Instructions

Inventory



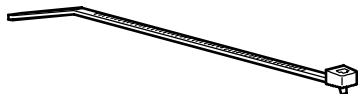
Door switch sensor with
15.24-m (50-ft) cable (1)



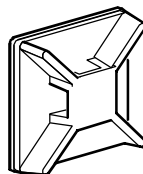
#4 x 1/2-in screw (4)



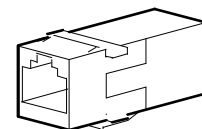
63.5-mm (2.5-in) dual
adhesive tape (2)



203-mm (8-in) tie wrap (20)



Adhesive cable tie holder (10)



RJ-45 coupling (1)

Installation



Caution: Make sure you connect this sensor to a **Sensor** port on applicable NetBotz products. See your NetBotz product documentation for details.

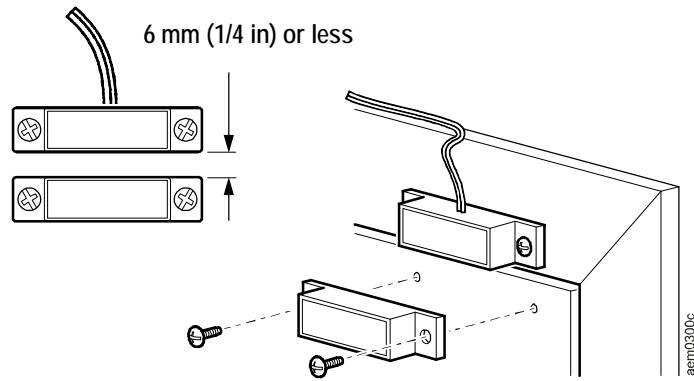


Note: You can extend the length of the sensor cable up to 30.5 m (100 ft) using the RJ-45 coupling and standard CAT-5 cabling.

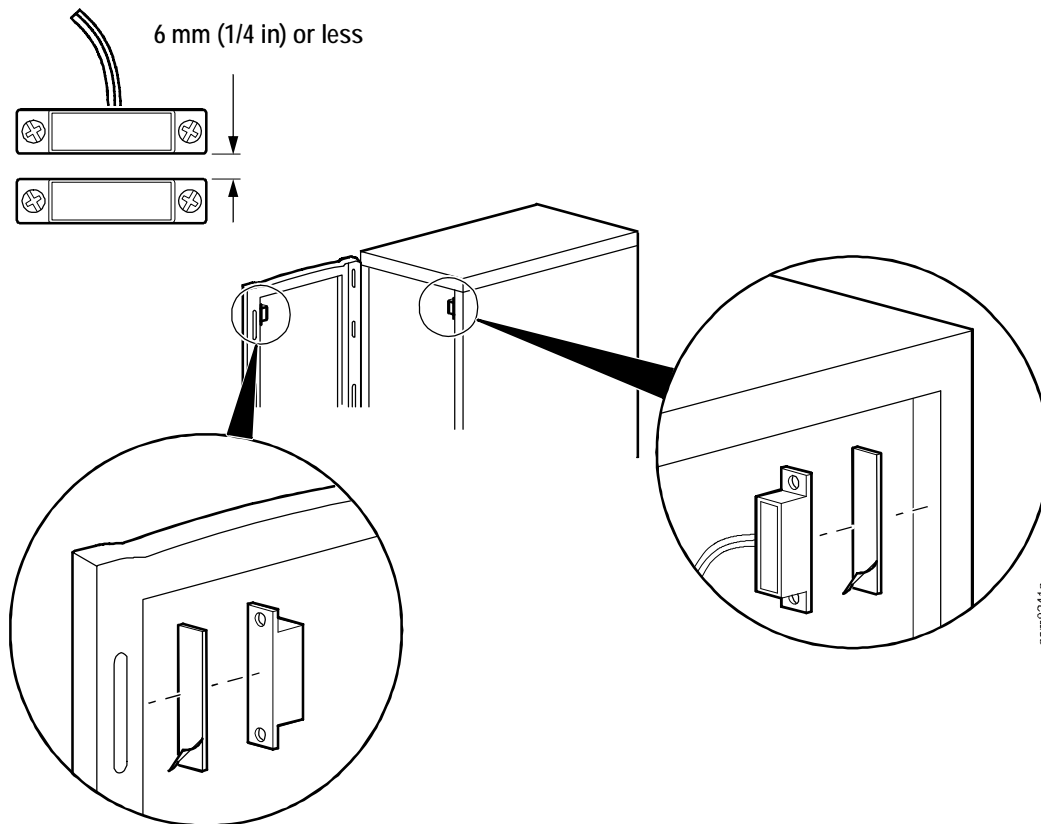


Note: Use adhesive cable tie holders and tie wraps to secure the sensor cable.

Room door-mounting option



Rack door-mounting option



Customer support and warranty information is available at the APC Web site, www.apc.com.

© 2008 American Power Conversion. All rights reserved. All APC trademarks are property of American Power Conversion. Other trademarks are property of their respective owners.

990-3378A
10/2008

